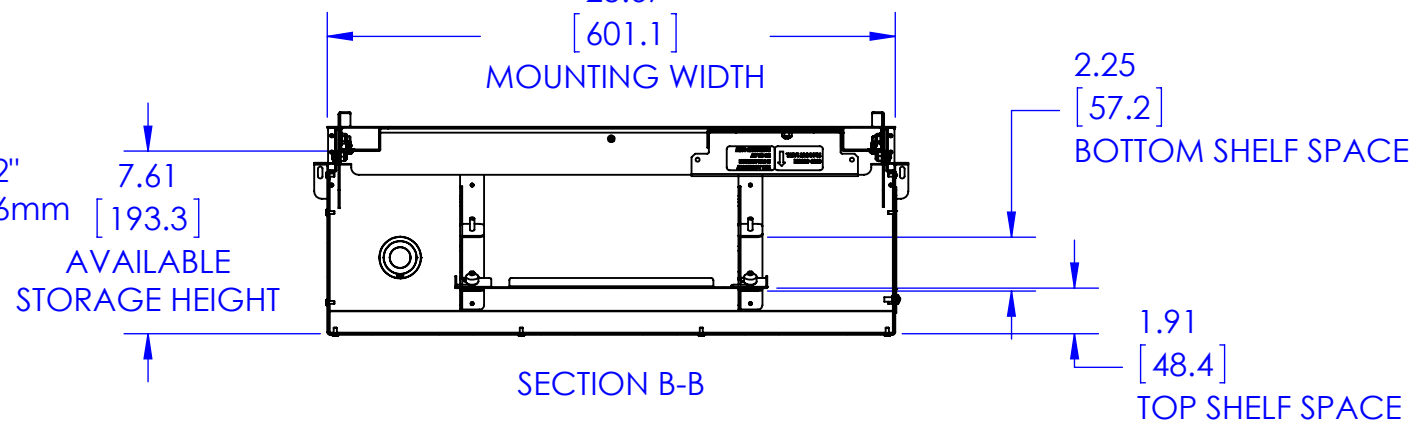
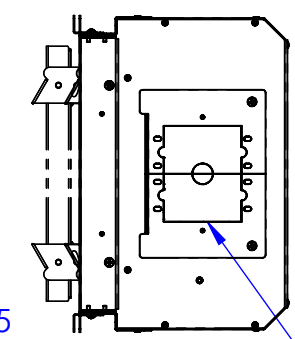
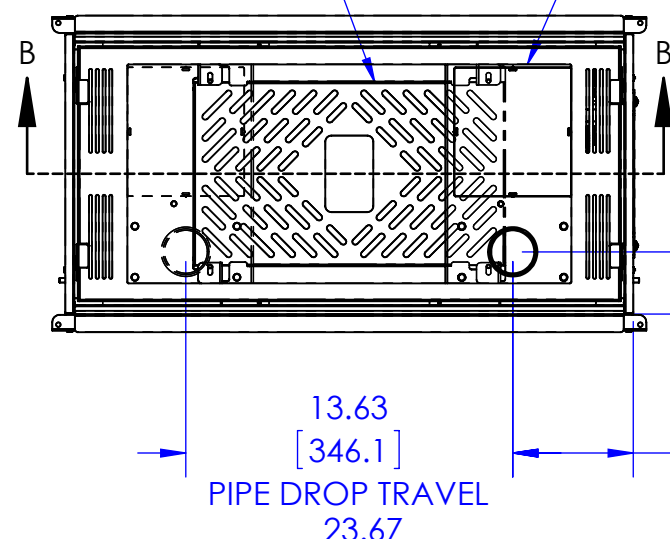
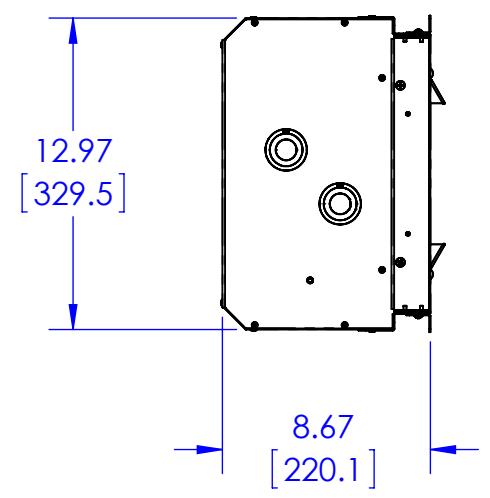
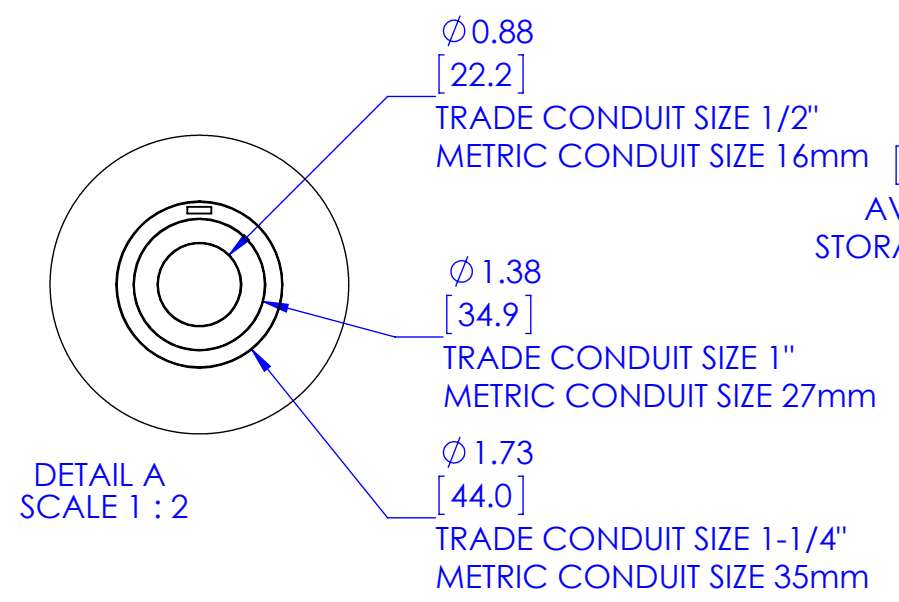


1 REMOVABLE SHELF INCLUDED
2 SPACES TOTAL AVAILABLE

ELECTRICAL INSTALL PLATE SPACE FOR
1. A SINGLE GANG OUTLET
2. DUAL GANG OUTLET



ELECTRICAL INSTALL PLATE SPACE FOR
1. A SINGLE GANG OUTLET
2. DUAL GANG OUTLET
3. PASS THROUGH FOR DUAL GANG OUTLET ATTACHED TO 1/2" CONDUIT



THE INFORMATION AND DESIGNS CONTAINED IN THIS DRAWING ARE CONFIDENTIAL AND THE PROPRIETARY PROPERTY OF MILESTONE AV TECHNOLOGIES NEITHER THIS DESIGN NOR ANY INFORMATION CONTAINED IN THIS DRAWING MAY BE REPRODUCED OR DISCLOSED TO OTHERS WITHOUT THE EXPRESS WRITTEN CONSENT OF MILESTONE AV TECHNOLOGIES.

CAD GENERATED DRAWING, DO NOT MANUALLY UPDATE.		6436 CITY WEST PKWY EDEN PRAIRIE MN, 55344 PHONE: 866-977-3901 FAX: 877-894-6918	
DRAWN BY	HEF	3/25/2014	DESCRIPTION
ENG APPROVAL			1 X 2 CEILING ENCLOSURE WITH PROJECTOR DROP
MFG APPROVAL			MODEL NO.
QA APPROVAL			CMS491C
SHEET 1 OF 1		SCALE	SIZE DWG. NO. REV.
		1:8	B TECH-000573 00